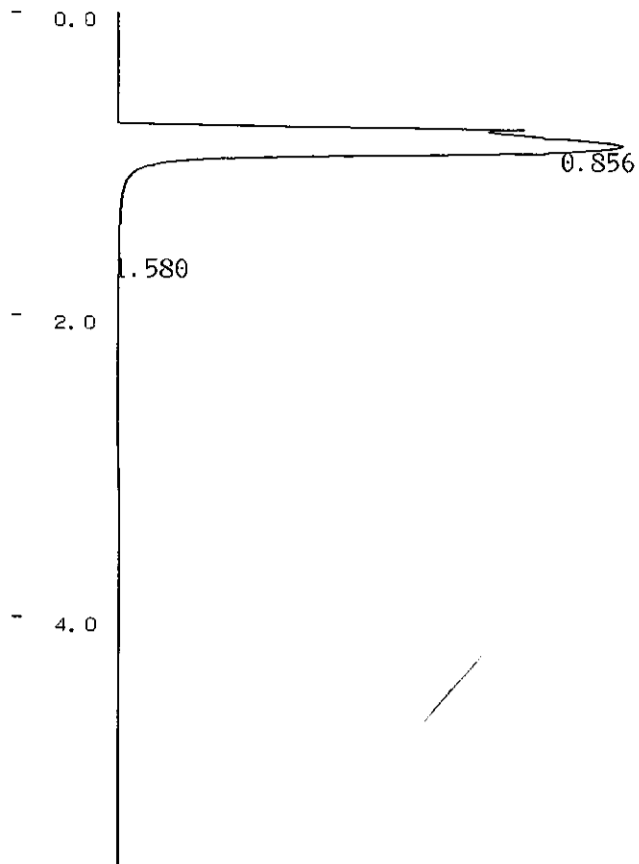


C-RSA CHROMATOPAC CH=1 DATA=1:@CHRM1.C00 ATTEN= 6 SPEED= 20.0

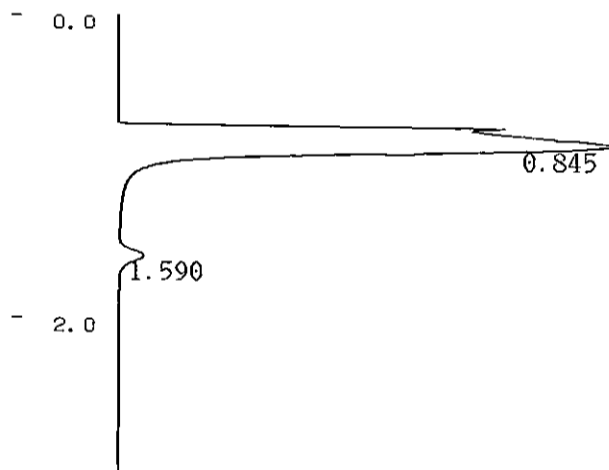


C-RSA CHROMATOPAC CH=1 Report No.=5 DATA=1:@CHRM1.C00 04/09/16 14:05:18

** CALCULATION REPORT **

CH	PKNO	TIME	AREA	HEIGHT	MK	IDNO	CONC	NAME
1	1	0.856	331123	30536	S		100	
TOTAL			331123	30536			100	

C-RSA CHROMATOPAC CH=1 DATA=1:@CHRM1.C00 ATTEN= 6 SPEED= 20.0

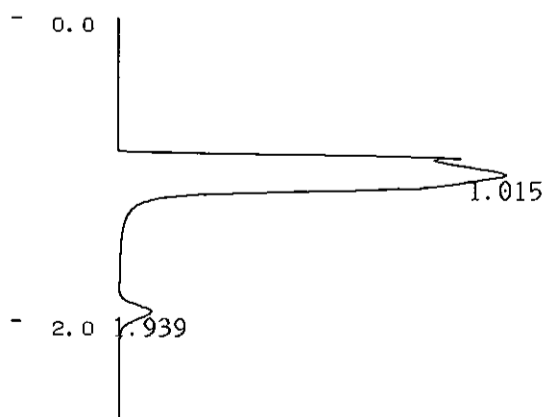


C-RSA CHROMATOPAC CH=1 Report No.=6 DATA=1:@CHRM1.C00 04/09/16 14:11:14

** CALCULATION REPORT **

CH	PKNO	TIME	AREA	HEIGHT	MK	IDNO	CONC	NAME
1	1	0.845	319088	29931	S		97.4789	
	2	1.59	8253	1450	T		2.5211	
TOTAL			327340	31381			100	

C-RSA CHROMATOPAC CH=1 DATA=1:@CHRM1.C00 ATTEN= 6 SPEED= 20.0

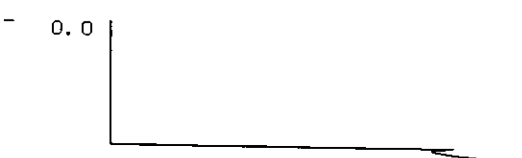


C-RSA CHROMATOPAC CH=1 Report No.=7 DATA=1:@CHRM1.C00 04/09/16 14:14:54

** CALCULATION REPORT **

CH	PKNO	TIME	AREA	HEIGHT	MK	IDNO	CONC	NAME
1	1	1.015	329009	23473	S		96.1056	
	2	1.939	13332	1926	T		3.8944	
TOTAL			342342	25399			100	

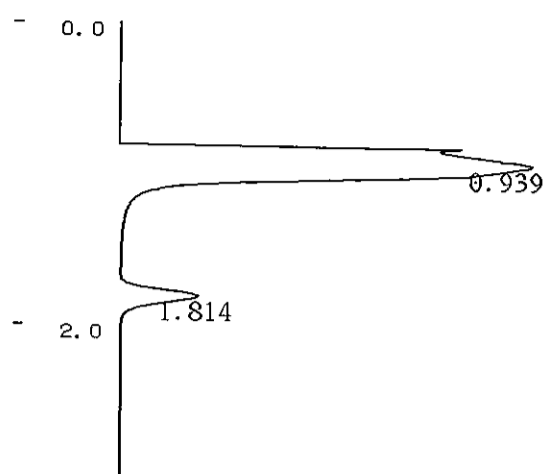
C-RSA CHROMATOPAC CH=1 DATA=1:@CHRM1.C00 ATTEN= 6 SPEED= 20.0



** CALCULATION REPORT **

CH	PKNO	TIME	AREA	HEIGHT	MK	IDNO	CONC	NAME
1	1	1.015	329009	23473	S		96.1056	
	2	1.939	13332	1926	T		3.8944	
TOTAL			342342	25399			100	

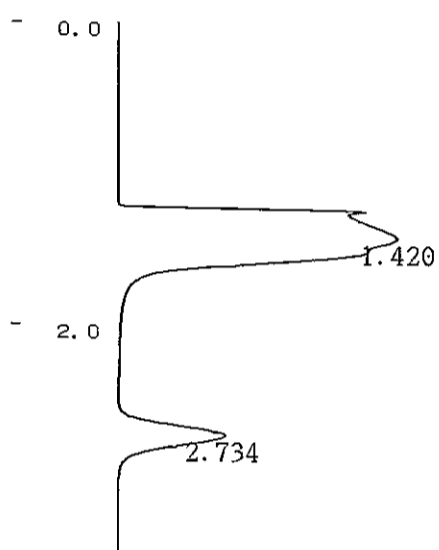
C-RSA CHROMATOPAC CH=1 DATA=1:@CHRM1.C00 ATTEN= 6 SPEED= 20.0



** CALCULATION REPORT **

CH	PKNO	TIME	AREA	HEIGHT	MK	IDNO	CONC	NAME
1	1	0.939	319677	24940			91.4094	
	2	1.814	30043	4717	V		8.5906	
TOTAL			349720	29658			100	

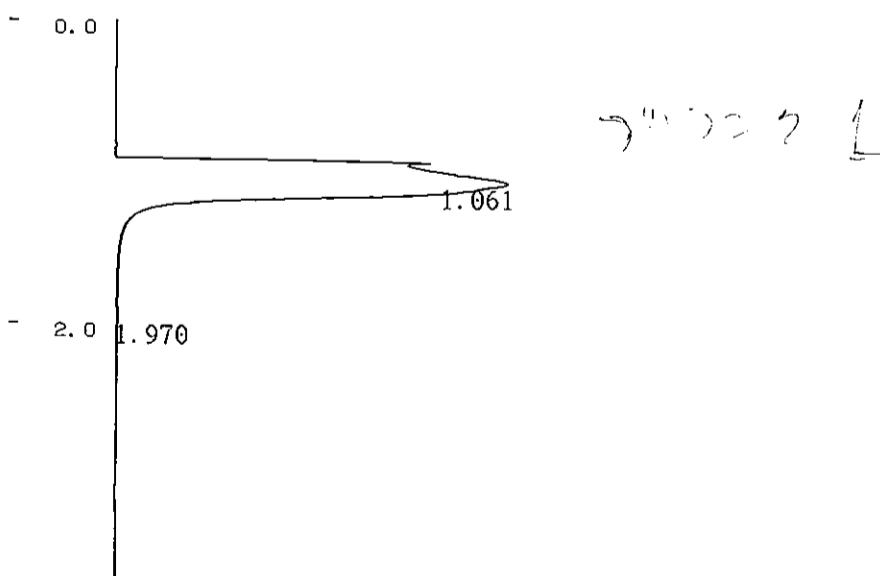
C-RSA CHROMATOPAC CH=1 DATA=1:@CHRM1.C00 ATTEN= 6 SPEED= 20.0



** CALCULATION REPORT **

CH	PKNO	TIME	AREA	HEIGHT	MK	IDNO	CONC	NAME
1	1	1.42	357533	16867			85.1972	
	2	2.734	62120	6496	V		14.8027	
TOTAL			419653	23364			100	

C-RSA CHROMATOPAC CH=1 DATA=1:@CHRM1.C00 ATTEN= 6 SPEED= 20.0



** CALCULATION REPORT **

CH	PKNO	TIME	AREA	HEIGHT	MK	IDNO	CONC	NAME
1	1	1.061	342255	23725	S		100	
TOTAL			342255	23725			100	

C-RSA CHROMATOPAC CH=1 DATA=1:@CHRM1.C00 ATTEN= 6 SPEED= 20.0



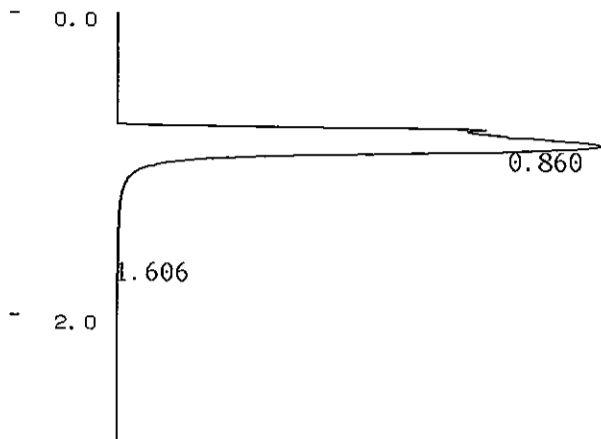
2.0 1.970

C-RSA CHROMATOPAC CH=1 Report No.=10 DATA=1:@CHRM1.C00 04/09/16 14:32:34

** CALCULATION REPORT **

CH	PKNO	TIME	AREA	HEIGHT	MK	IDNO	CONC	NAME
1	1	1.061	342255	23725	S		100	
TOTAL			342255	23725			100	

C-RSA CHROMATOPAC CH=1 DATA=1:@CHRM1.C00 ATTEN= 6 SPEED= 20.0

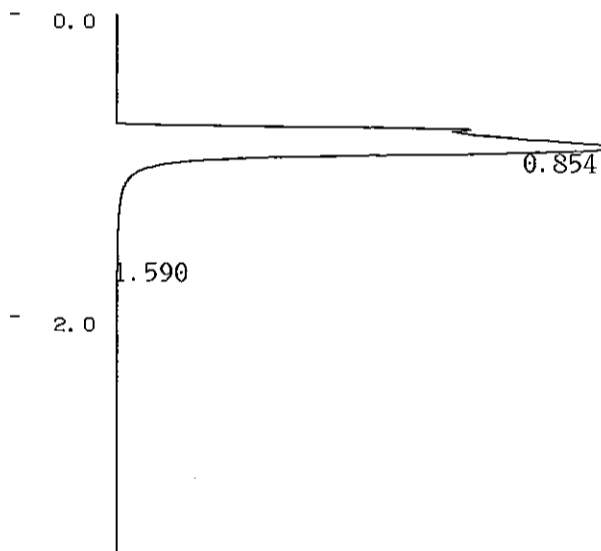


C-RSA CHROMATOPAC CH=1 Report No.=11 DATA=1:@CHRM1.C00 04/09/16 14:36:30

** CALCULATION REPORT **

CH	PKNO	TIME	AREA	HEIGHT	MK	IDNO	CONC	NAME
1	1	0.86	303910	29403	S		100	
TOTAL			303910	29403			100	

C-RSA CHROMATOPAC CH=1 DATA=1:@CHRM1.C00 ATTEN= 6 SPEED= 20.0

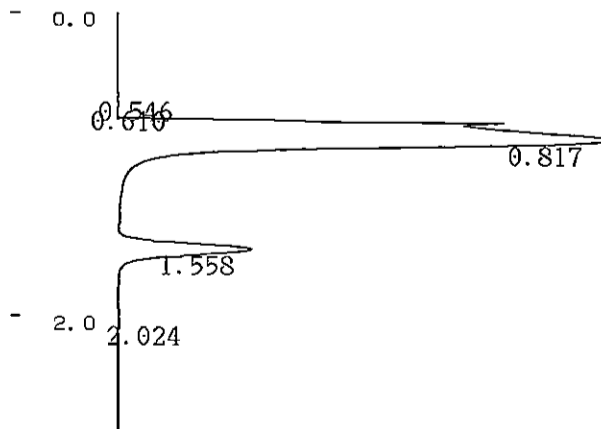


C-RSA CHROMATOPAC CH=1 Report No.=12 DATA=1:@CHRM1.C00 04/09/16 14:42:12

** CALCULATION REPORT **

CH	PKNO	TIME	AREA	HEIGHT	MK	IDNO	CONC	NAME
1	1	0.854	322152	30400	S		100	
TOTAL			322152	30400			100	

C-RSA CHROMATOPAC CH=1 DATA=1:@CHRM1.C00 ATTEN= 6 SPEED= 20.0

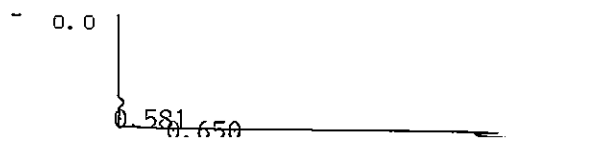


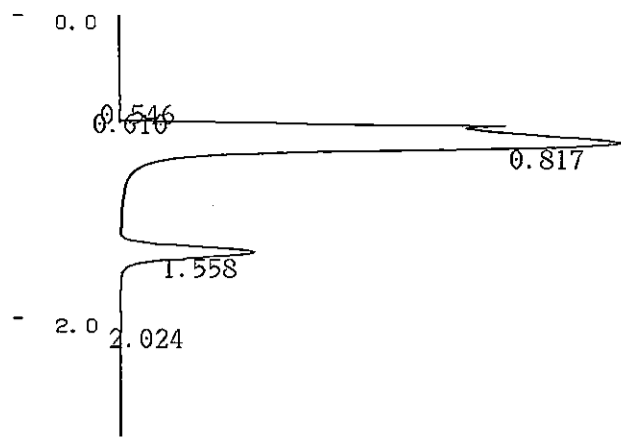
C-RSA CHROMATOPAC CH=1 Report No.=13 DATA=1:@CHRM1.C00 04/09/16 14:46:30

** CALCULATION REPORT **

CH	PKNO	TIME	AREA	HEIGHT	MK	IDNO	CONC	NAME
1	3	0.817	311177	30379	V		87.2587	
	4	1.558	45437	8066	SV		12.7413	
TOTAL			356614	38444			100	

C-RSA CHROMATOPAC CH=1 DATA=1:@CHRM1.C00 ATTEN= 6 SPEED= 20.0



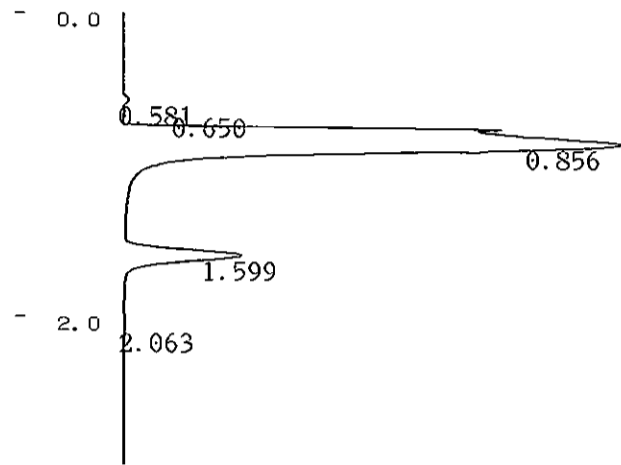


C-RSA CHROMATOPAC CH=1 Report No.=13 DATA=1:@CHRM1.C00 04/09/16 14:46:30

** CALCULATION REPORT **

CH	PKNO	TIME	AREA	HEIGHT	MK	IDNO	CONC	NAME
1	3	0.817	311177	30379	V		87.2587	
	4	1.558	45437	8066	SV		12.7413	
TOTAL			356614	38444			100	

C-RSA CHROMATOPAC CH=1 DATA=1:@CHRM1.C00 ATTEN= 6 SPEED= 20.0

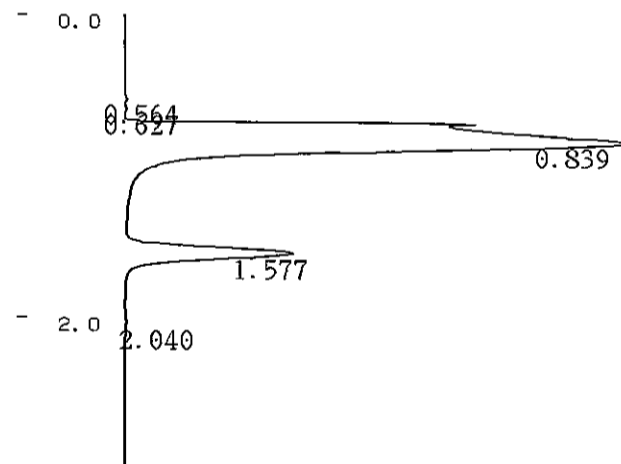


C-RSA CHROMATOPAC CH=1 Report No.=14 DATA=1:@CHRM1.C00 04/09/16 14:50:16

** CALCULATION REPORT **

CH	PKNO	TIME	AREA	HEIGHT	MK	IDNO	CONC	NAME
1	3	0.856	300910	30356	V		88.1742	
	4	1.599	40358	7113	SV		11.8258	
TOTAL			341267	37469			100	

C-RSA CHROMATOPAC CH=1 DATA=1:@CHRM1.C00 ATTEN= 6 SPEED= 20.0

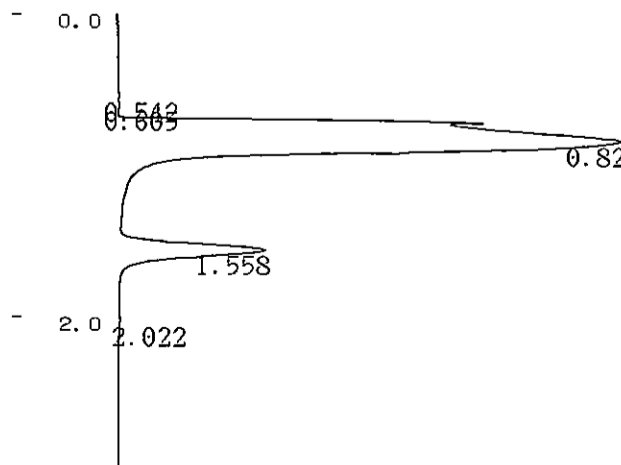


C-RSA CHROMATOPAC CH=1 Report No.=15 DATA=1:@CHRM1.C00 04/09/16 14:53:52

** CALCULATION REPORT **

CH	PKNO	TIME	AREA	HEIGHT	MK	IDNO	CONC	NAME
1	3	0.839	331177	30497	V		85.0964	
	4	1.577	58002	10199	SV		14.9036	
TOTAL			389178	40695			100	

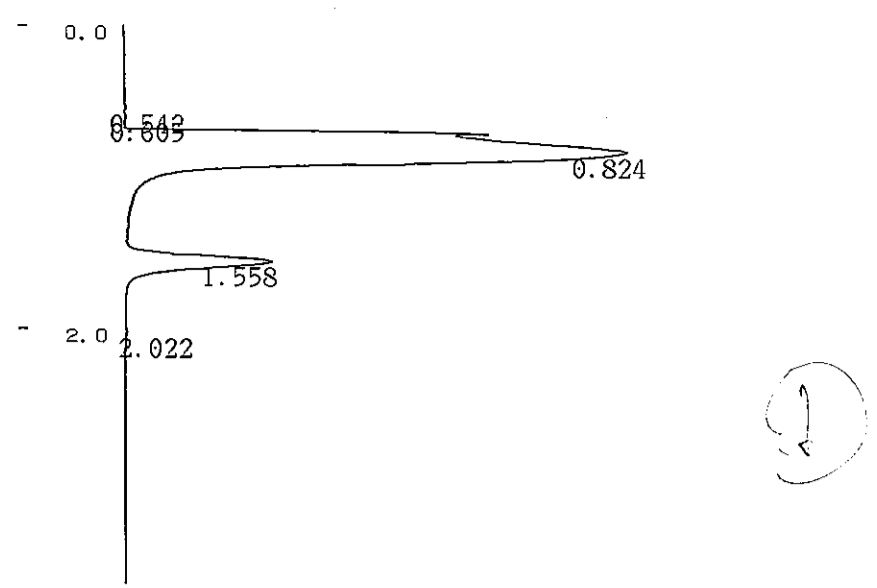
C-RSA CHROMATOPAC CH=1 DATA=1:@CHRM1.C00 ATTEN= 6 SPEED= 20.0



C-RSA CHROMATOPAC CH=1 Report No.=16 DATA=1:@CHRM1.C00 04/09/16 15:06:46

** CALCULATION REPORT **

CH	PKNO	TIME	AREA	HEIGHT	MK	IDNO	CONC	NAME
1	3	0.824	367113	30409	V		86.904	

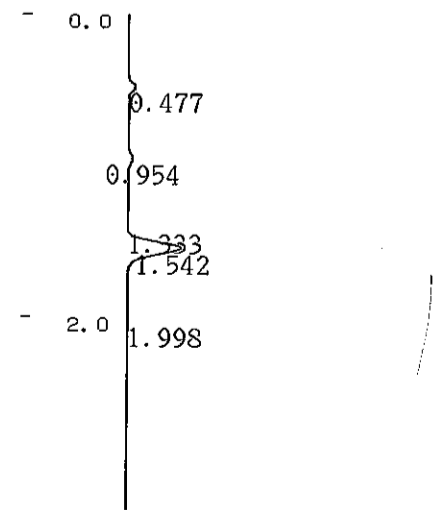


C-RSA CHROMATOPAC CH=1 Report No.=16 DATA=1:@CHRM1.C00 04/09/16 15:06:46

** CALCULATION REPORT **

CH	PKNO	TIME	AREA	HEIGHT	MK	IDNO	CONC	NAME
1	3	0.824	367113	30409	V		86.904	
	4	1.558	55322	8815	SV		13.096	
TOTAL			422436	39224			100	

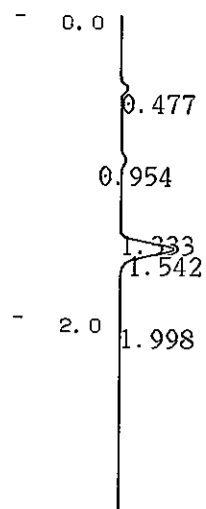
Handwritten signature or initials



C-RSA CHROMATOPAC CH=1 Report No.=17 DATA=1:@CHRM1.C00 04/09/16 15:20:38

** CALCULATION REPORT **

CH	PKNO	TIME	AREA	HEIGHT	MK	IDNO	CONC	NAME
1	1	0.477	1485	388			6.605	
	2	0.954	1239	263			5.511	
	4	1.542	19754	3245	V		87.8841	
TOTAL			22477	3896			100	

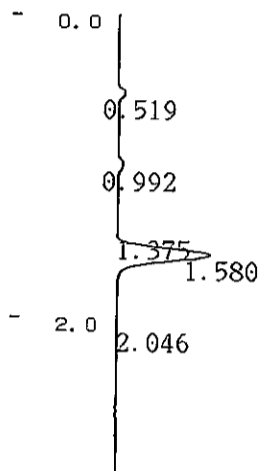


C-RSA CHROMATOPAC CH=1 Report No.=17 DATA=1:@CHRM1.C00 04/09/16 15:20:38

** CALCULATION REPORT **

CH	PKNO	TIME	AREA	HEIGHT	MK	IDNO	CONC	NAME
1	1	0.477	1485	388			6.605	
	2	0.954	1239	263			5.511	
	4	1.542	19754	3245	V		87.8841	
TOTAL			22477	3896			100	

C-RSA CHROMATOPAC CH=1 DATA=1:@CHRM1.C00 ATTEN= 6 SPEED= 20.0

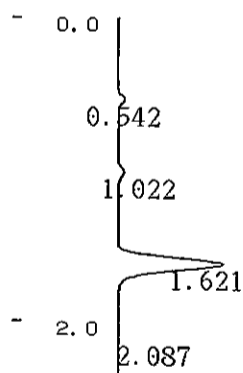


C-RSA CHROMATOPAC CH=1 Report No.=18 DATA=1:@CHRM1.C00 04/09/16 15:25:36

** CALCULATION REPORT **

CH	PKNO	TIME	AREA	HEIGHT	MK	IDNO	CONC	NAME
1	1	0.519	1468	391			3.9416	
	2	0.992	1589	336			4.2676	
	4	1.58	34184	5671	V		91.7907	
TOTAL			37241	6397			100	

C-RSA CHROMATOPAC CH=1 DATA=1:@CHRM1.C00 ATTEN= 6 SPEED= 20.0

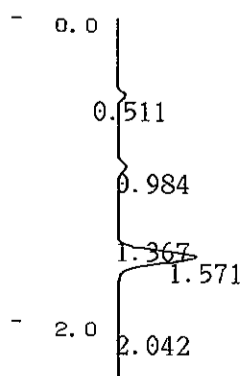


C-RSA CHROMATOPAC CH=1 Report No.=19 DATA=1:@CHRM1.C00 04/09/16 15:28:50

** CALCULATION REPORT **

CH	PKNO	TIME	AREA	HEIGHT	MK	IDNO	CONC	NAME
1	1	0.542	1464	381			3.4814	
	2	1.022	1647	341			3.9171	
	3	1.621	38930	6353			92.6015	
TOTAL			42041	7074			100	

C-RSA CHROMATOPAC CH=1 DATA=1:@CHRM1.C00 ATTEN= 6 SPEED= 20.0



C-RSA CHROMATOPAC CH=1 Report No.=20 DATA=1:@CHRM1.C00 04/09/16 15:35:16

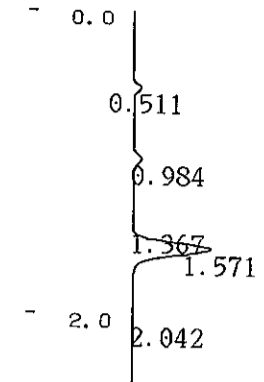
** CALCULATION REPORT **

CH	PKNO	TIME	AREA	HEIGHT	MK	IDNO	CONC	NAME
1	1	0.511	1496	405			4.6785	
	2	0.984	2184	462			6.8288	
	4	1.571	28304	4707	V		88.4927	

** CALCULATION REPORT **

CH	PKNO	TIME	AREA	HEIGHT	MK	IDNO	CONC	NAME
1	1	0.542	1464	381			3.4814	
	2	1.022	1647	341			3.9171	
	3	1.621	38930	6353			92.6015	
TOTAL			42041	7074			100	

C-RSA CHROMATOPAC CH=1 DATA=1:@CHRM1.C00 ATTEN= 6 SPEED= 20.0

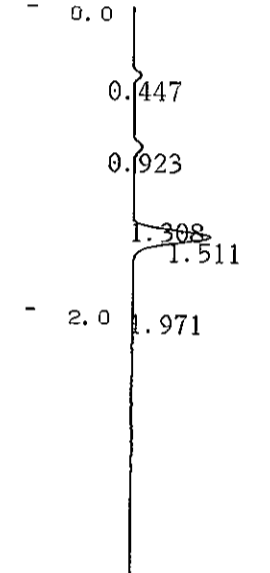


C-RSA CHROMATOPAC CH=1 Report No.=20 DATA=1:@CHRM1.C00 04/09/16 15:35:16

** CALCULATION REPORT **

CH	PKNO	TIME	AREA	HEIGHT	MK	IDNO	CONC	NAME
1	1	0.511	1496	405			4.6785	
	2	0.984	2184	462			6.8288	
	4	1.571	28304	4707	V		88.4927	
TOTAL			31985	5575			100	

C-RSA CHROMATOPAC CH=1 DATA=1:@CHRM1.C00 ATTEN= 6 SPEED= 20.0

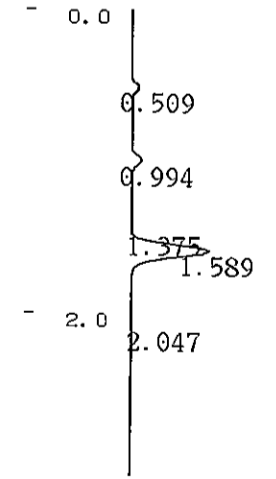


C-RSA CHROMATOPAC CH=1 Report No.=21 DATA=1:@CHRM1.C00 04/09/16 15:39:46

** CALCULATION REPORT **

CH	PKNO	TIME	AREA	HEIGHT	MK	IDNO	CONC	NAME
1	1	0.447	1533	420			4.7656	
	2	0.923	2404	516			7.4752	
	4	1.511	28223	4716	V		87.7592	
TOTAL			32160	5652			100	

C-RSA CHROMATOPAC CH=1 DATA=1:@CHRM1.C00 ATTEN= 6 SPEED= 20.0



C-RSA CHROMATOPAC CH=1 Report No.=22 DATA=1:@CHRM1.C00 04/09/16 15:44:22

** CALCULATION REPORT **

CH	PKNO	TIME	AREA	HEIGHT	MK	IDNO	CONC	NAME
1	1	0.509	1546	398			4.6992	
	2	0.994	2724	569			8.2818	
	4	1.589	28623	4693	V		87.019	
TOTAL			32893	5660			100	