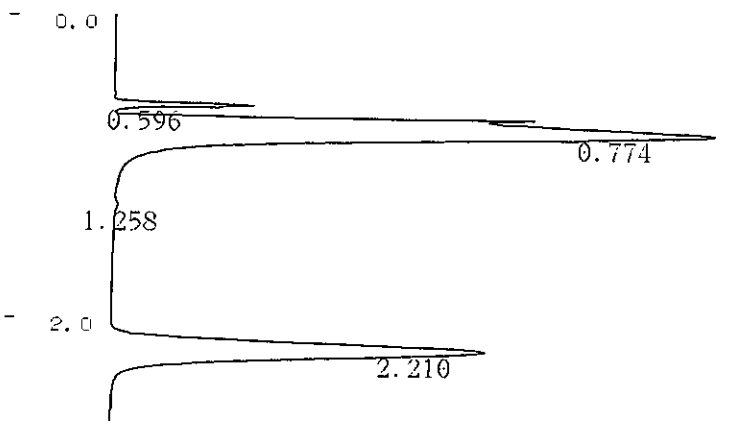


標準系列 (固体捕集方法)
1.3 μ l

C-RSA CHROMATOPAC CH=1 DATA=1:@CHRM1.C00 ATTEN= 6 SPEED= 20.0

①



C-RSA CHROMATOPAC CH=1 Report No.=2 DATA=1:@CHRM1.C00 04/11/25 13:56:28

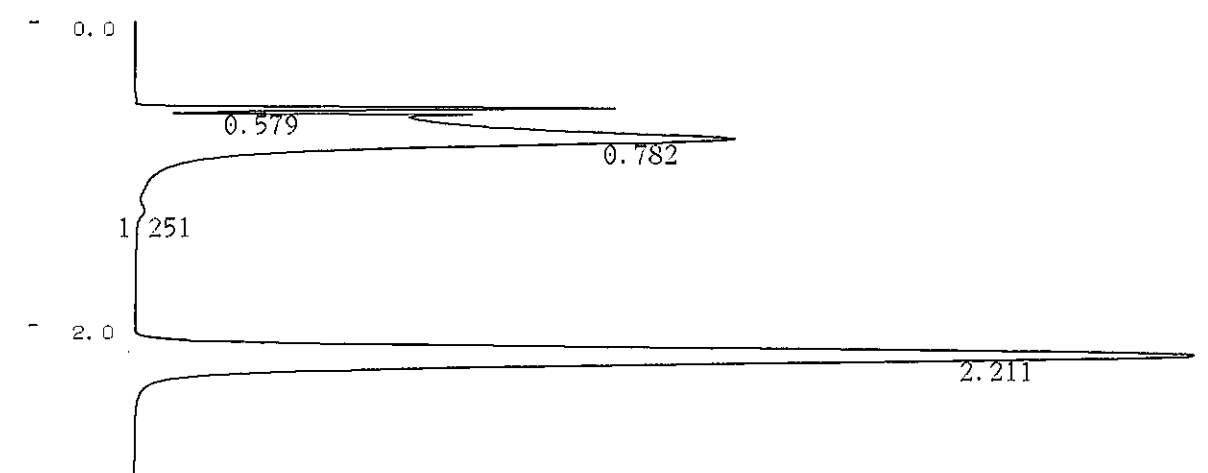
** CALCULATION REPORT **

CH	PKNO	TIME	AREA	HEIGHT	MK	IDNO	CONC	NAME
1	1	0.596	14363	8420			2.9833	
1	2	0.774	302979	36188	V		62.9295	
1	4	2.21	164115	22592			34.0871	
TOTAL			481458	67200			100	

③

3.2 μ l

C-RSA CHROMATOPAC CH=1 DATA=1:@CHRM1.C00 ATTEN= 6 SPEED= 20.0



C-RSA CHROMATOPAC CH=1 Report No.=4 DATA=1:@CHRM1.C00 04/11/25 14:04:12

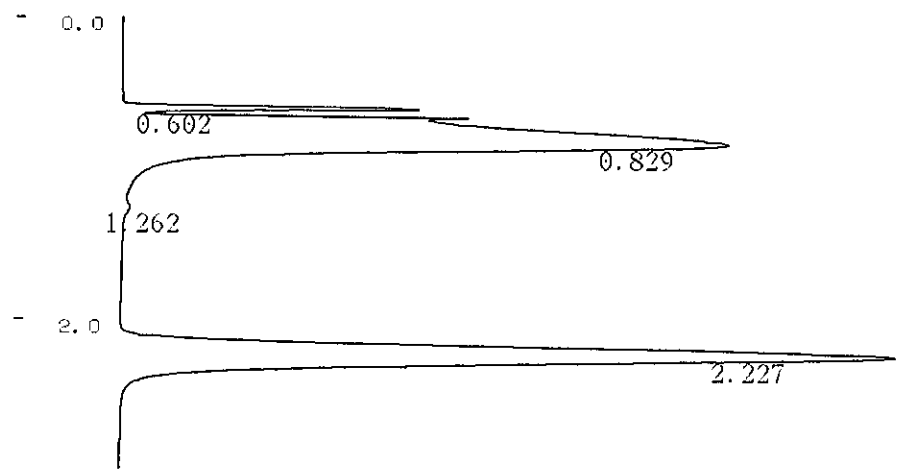
** CALCULATION REPORT **

CH	PKNO	TIME	AREA	HEIGHT	MK	IDNO	CONC	NAME
1	1	0.579	42641	28999			4.6752	
1	2	0.782	391859	36282	SV		42.9636	
1	3	1.251	1517	325	T		0.1663	
1	4	2.211	476054	64910			52.1949	
TOTAL			912070	130515			100	

②

1.2 μ l \rightarrow 2.5 μ l

C-RSA CHROMATOPAC CH=1 DATA=1:@CHRM1.C00 ATTEN= 6 SPEED= 20.0



C-RSA CHROMATOPAC CH=1 Report No.=3 DATA=1:@CHRM1.C00 04/11/25 14:00:14

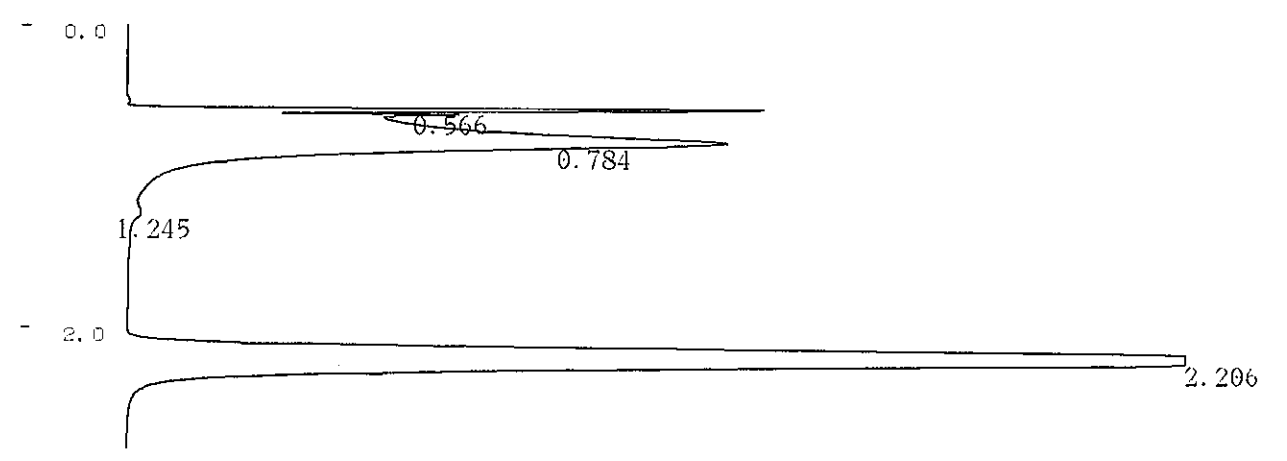
** CALCULATION REPORT **

CH	PKNO	TIME	AREA	HEIGHT	MK	IDNO	CONC	NAME
1	1	0.602	31727	17932			3.8143	
1	2	0.829	435360	36643	SV		52.3393	
1	3	1.262	1043	250	T		0.1254	
1	4	2.227	363673	46819			43.721	
TOTAL			831802	101644			100	

④

4 μ l \rightarrow 5.4 μ l

C-RSA CHROMATOPAC CH=1 DATA=1:@CHRM1.C00 ATTEN= 6 SPEED= 20.0



C-RSA CHROMATOPAC CH=1 Report No.=5 DATA=1:@CHRM1.C00 04/11/25 14:08:44

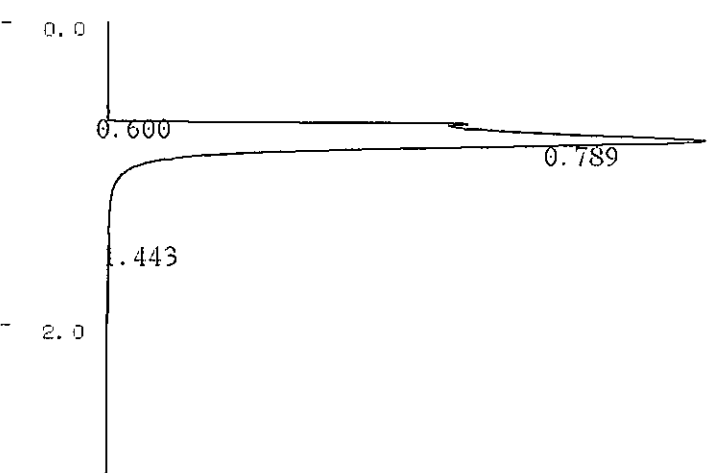
** CALCULATION REPORT **

CH	PKNO	TIME	AREA	HEIGHT	MK	IDNO	CONC	NAME
1	1	0.566	60633	38467			5.3113	
1	2	0.784	433024	36277	SV		37.9319	
1	3	1.245	1814	373	T		0.1589	
1	4	2.206	646111	86482			56.5979	
TOTAL			1141582	161599			100	

#700
S-1 1.2 μl

三つおのり 1.4 μl

C-RSA CHROMATOPAC CH=1 DATA=1:@CHRM1.C00 ATTEN= 6 SPEED= 20.0



C-RSA CHROMATOPAC CH=1 Report No.=6 DATA=1:@CHRM1.C00 04/11/25 14:13:34

** CALCULATION REPORT **

CH PKNO	TIME	AREA	HEIGHT	MK	IDNO	CONC	NAME
1	2	0.789	329968	36082		100	
TOTAL		329968	36082			100	

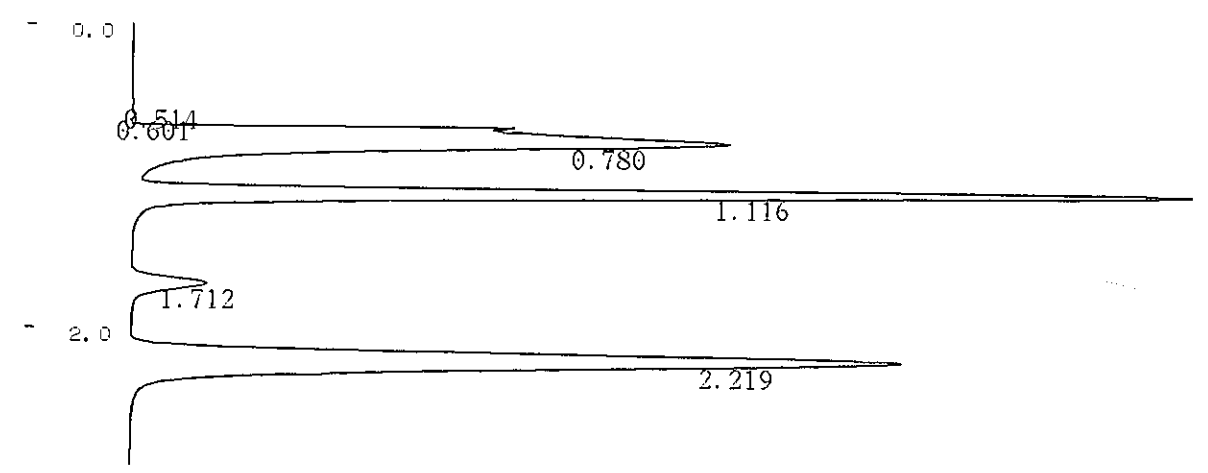
C-RSA CHROMATOPAC CH=1 DATA=1:@CHRM1.C00 ATTEN= 6 SPEED= 20.0

0.0
Peak PROC/CALC ERROR CH=1, 1:No raw peak
C-RSA CHROMATOPAC CH=1 Report No.=7 DATA=1:@CHRM1.C00 04/11/25 14:16:36

** CALCULATION REPORT ** *WARNING* CALERROR: 1

CH PKNO	TIME	AREA	HEIGHT	MK	IDNO	CONC	NAME
TOTAL		0	0			0	

C-RSA CHROMATOPAC CH=1 DATA=1:@CHRM1.C00 ATTEN= 6 SPEED= 20.0



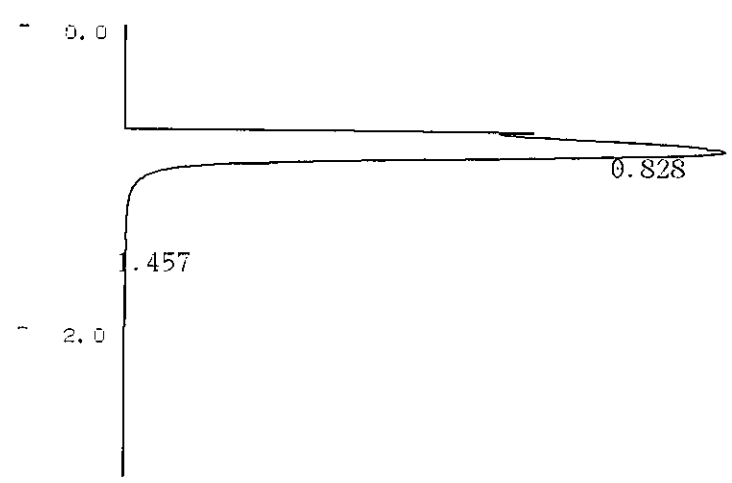
C-RSA CHROMATOPAC CH=1 Report No.=11 DATA=1:@CHRM1.C00 04/11/25 14:40:28

** CALCULATION REPORT **

CH PKNO	TIME	AREA	HEIGHT	MK	IDNO	CONC	NAME
1	0.78	305833	36084			32.5128	
4	1.116	270860	68119	V		28.7947	
5	1.712	25858	4578			2.7489	
6	2.219	338105	46560			35.9436	
TOTAL		940656	155341			100	

#700 三つおのり 1.2 μl

C-RSA CHROMATOPAC CH=1 DATA=1:@CHRM1.C00 ATTEN= 6 SPEED= 20.0



C-RSA CHROMATOPAC CH=1 Report No.=10 DATA=1:@CHRM1.C00 04/11/25 14:33:34

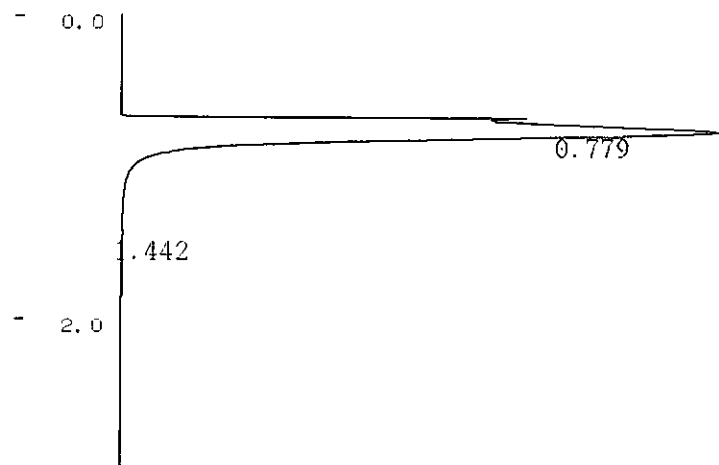
** CALCULATION REPORT **

CH PKNO	TIME	AREA	HEIGHT	MK	IDNO	CONC	NAME
1	1	0.828	380108	36266		100	

⑦①

1.3 μ l

C-RSA CHROMATOPAC CH=1 DATA=1:@CHRM1.C00 ATTEN= 6 SPEED= 20.0



C-RSA CHROMATOPAC CH=1 Report No.=9 DATA=1:@CHRM1.C00 04/11/25 14:24:42

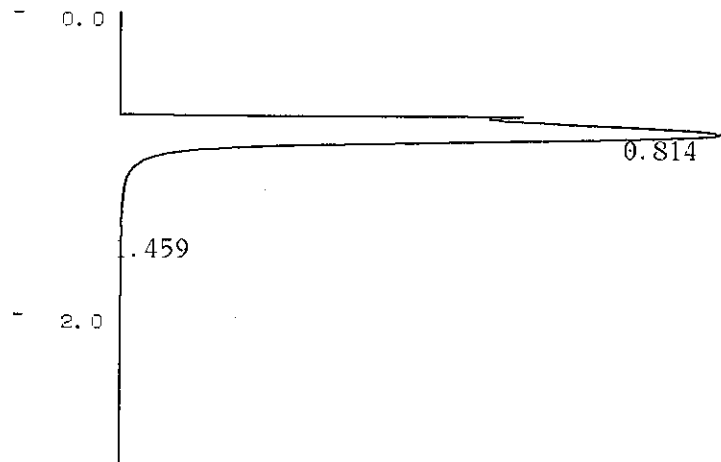
** CALCULATION REPORT **

CH	PKNO	TIME	AREA	HEIGHT	MK	IDNO	CONC	NAME
1	1	0.779	304500	36111			100	
TOTAL			304500	36111			100	

7.3 = 7 (2)

1.4 μ l

C-RSA CHROMATOPAC CH=1 DATA=1:@CHRM1.C00 ATTEN= 6 SPEED= 20.0



C-RSA CHROMATOPAC CH=1 Report No.=8 DATA=1:@CHRM1.C00 04/11/25 14:19:40

** CALCULATION REPORT **

CH	PKNO	TIME	AREA	HEIGHT	MK	IDNO	CONC	NAME
1	1	0.814	357886	36228			100	
TOTAL			357886	36228			100	